



FILTERI COFFEEI
ESPRESSO
SINGLE ORIGINI
MACCHIATO
ONE ANDI ONE
CAPPUCCINO

LATTE
MOCHA
CHA
TEA

Napo

Acoustic lamp



www.noverb-design.com

General

Dimension: 48 x 40 cm

Weight: 4 kg*

Input voltage: 120-230v

Input frequency: 50/60 Hz



Wattage: max. 60 watt

Cable: 2 mt white fabric cable**

Materials: Acoustic Foam UL94-HF1, birch plywood phenolic with transparent finish***

Fixing system: White round metal ceiling canopy, diameter 12 cm (conical plastic cable clamp)

Light point: E27 white metal lamp holder

Certifications:  listed |  PATENTED product

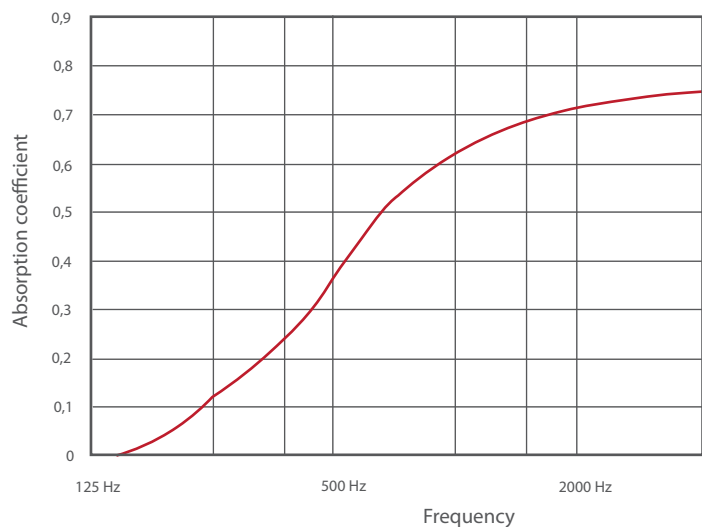
* Verify load capacity of the ceiling prior to installation.

** Different colors and lenghts on request.

*** Different finishes on request.

Acoustics

The graph refers to the absorption of a single lamp in an environment of 2 square meters.



Sound absorbing material

Material: PU Polyether T25 AUX, painted with low Cov content water paint.

Amount: 0,4 mq

Number of slats: 12, tickness 4 cm

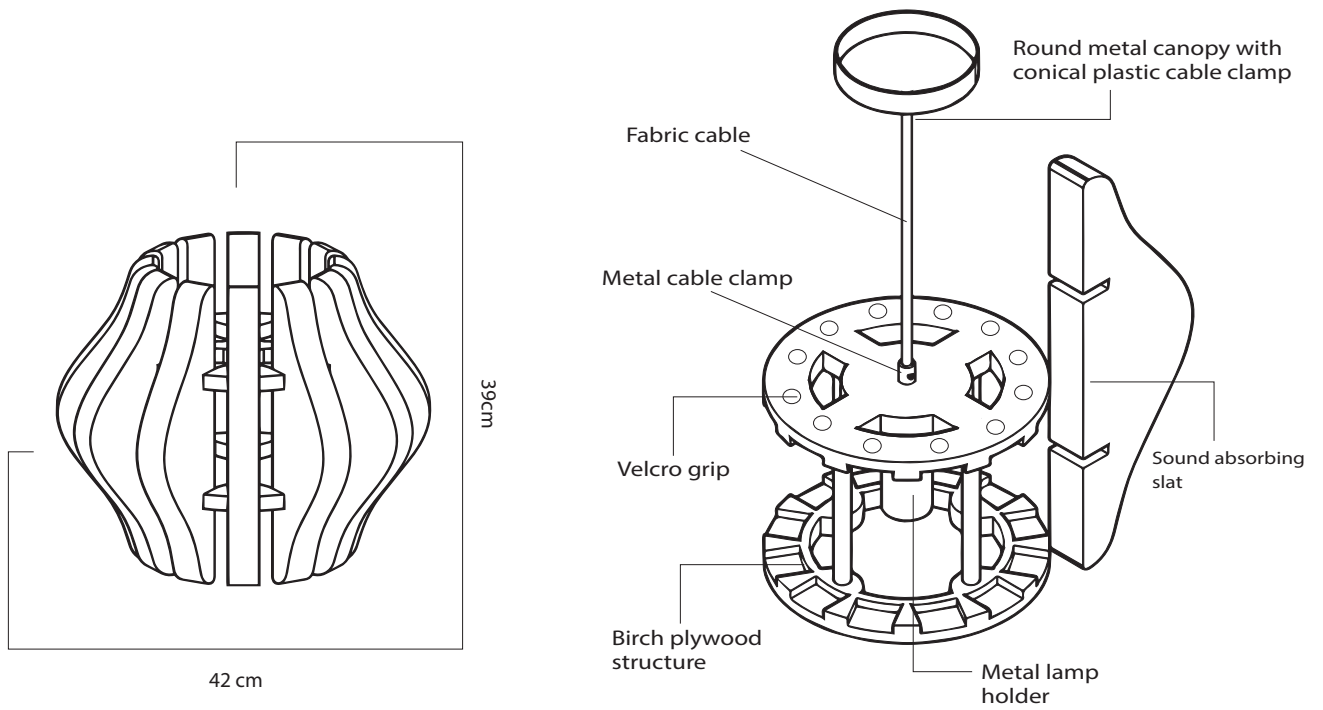
Slats hooking: Velcro grip

Density: ISO 845 25 Kg/m³

Flame test according to standard: UL94-HF1

Temperature Range: -20°C / +110°C

Configuration

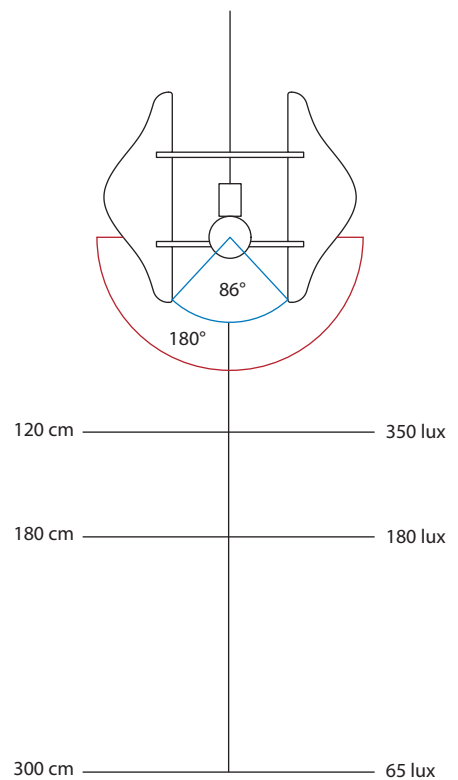


Photometric data

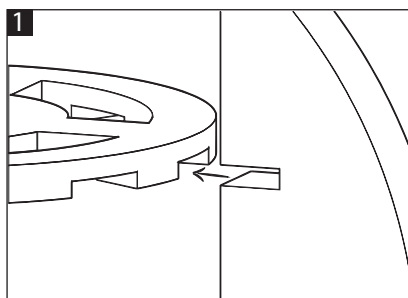
Led bulb reference: 17.5 W, 3000K, 180°,
2500 lumen

Direct light angle: 86°

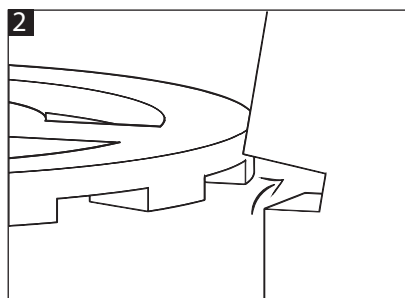
Diffused light angle: 180° as well as reference
led bulb (through the slats).



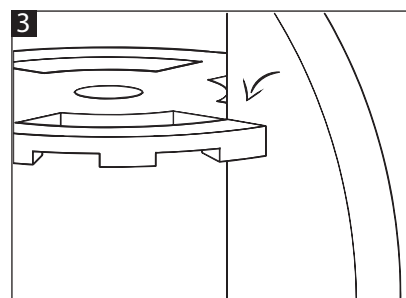
Assembly instructions



Bring the slat closer to the structure making the joints coincide.



Slightly raise the tips of the slat to facilitate insertion.



Release the tips of the slat and make it stick to the velcro.

Foam colors

Dark green



Light green



Green water



Blue



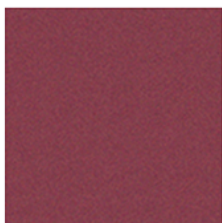
Red brick



Ocher



Bordeaux



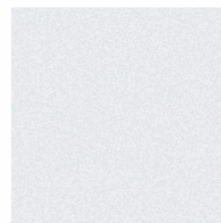
Anthracite



Grey



Off white



*Different colors on request.